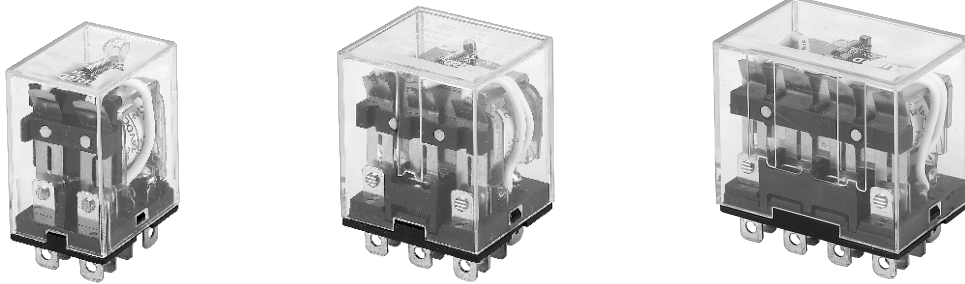
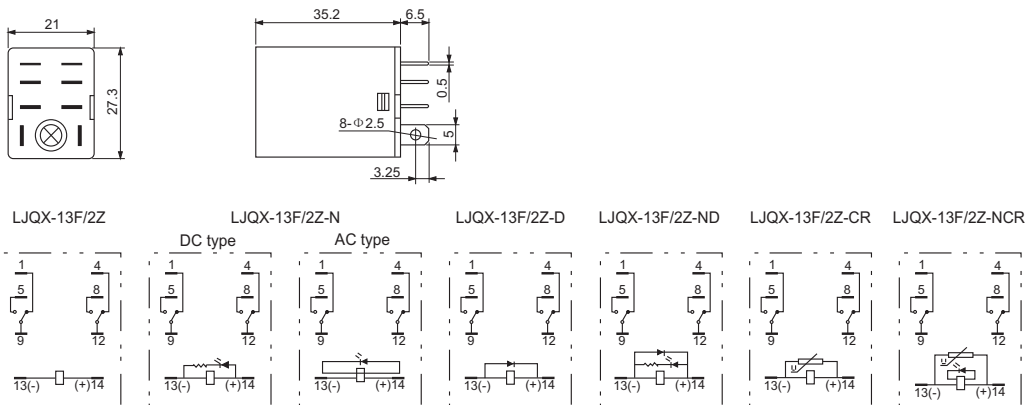


LJQX-13F Series

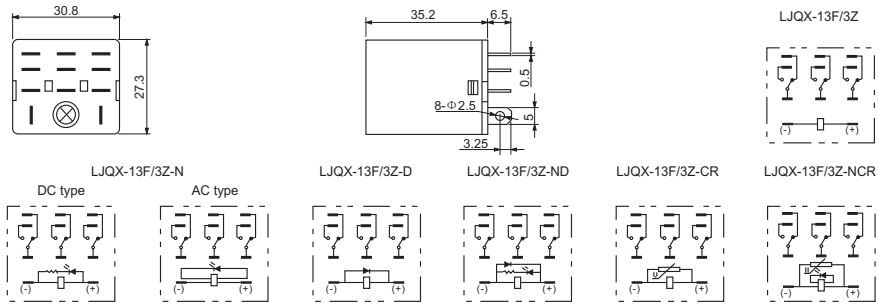


Model	LJQX-13F-2Z	LJQX-13F-3Z	LJQX-13F-4Z
Dimension(mm)	27.3×21×35.2	30.8×27.3×35.2	41×27.3×35.2
Contact Form	2Z 2H 2D	3Z 3H 3D	4Z 4H 4D
Contact Material	Silver alloy		
Resistance Performance Of Contactor Capacity	10A/28VDC 10A/240VAC		
Coil Power at 23°C	DC(W)	1Z 2Z≤0.9W, 3Z≤1.5W, 4Z≤1.6W	
	AC(VA)	1Z 2Z≤1.2VA, 3Z≤2VA, 4Z≤2.5VA	
Coil Voltage	DC(V)	6~220V	
	AC(V)	6~380V	
Pick-up Voltage at 23°C	DC≤75% AC≤80%		
Drop-out Voltage at 23°C	DC≥10% AC≥30%		
Max Voltage at 23°C	110%		
Contact Resistance(at 6VDC 1A)	≤100mΩ		
Dielectric Strength	Between Open Contacts	≥1200VAC 50Hz/1min Leakage current 1mA	
	Contacts pieces	≥1500VAC 50Hz/1min Leakage current 1mA	
	Between Coil & Contacts	≥1500VAC 50Hz/1min Leakage current 1mA	
Insulation Resistance(MΩ) at 500VDC	≥500MΩ		
Service life	Electrical	10 ⁵ Times(Frequency: On1Time/1S, Off1Time/1S)	
	Mechanical	10 ⁶ Times(Frequency: 300Time/1min)	
Ambient Temperature	-25°C~+55°C		
Terminal type	Insert type, Welding type		
Suitable socket	LPTF08A	LPTF11A	LPTF14A
Product Weight	40g	50g	60g
Same Reference	HH62P、LY2	HH63P、LY3	HH64P、LY4

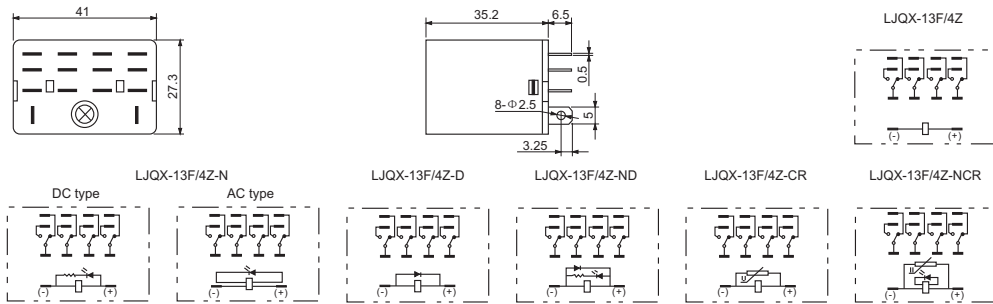
LJQX-13F-2Z Installation dimensions and connecting diagram



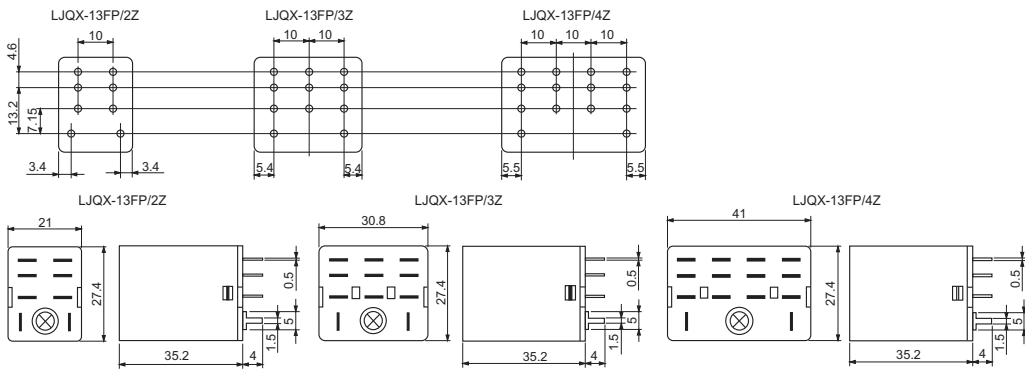
LJQX-13F-3Z Installation dimensions and connecting diagram



LJQX-13F-4Z Installation dimensions and connecting diagram



LJQX-13FP-2Z, LJQX-13FP-3Z, LJQX-13FP-4Z
Installation dimensions and connecting diagram



LJQX-13FB-2Z, LJQX-13FB-3Z, LJQX-13FB-4Z
Installation dimensions and connecting diagram

