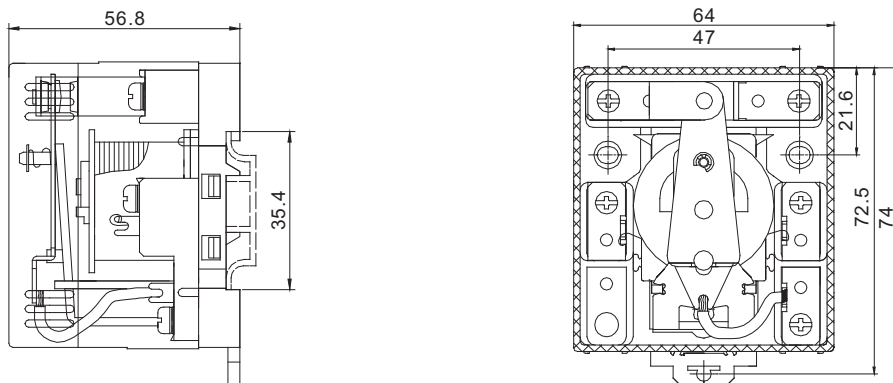


## LJQX-62F Series

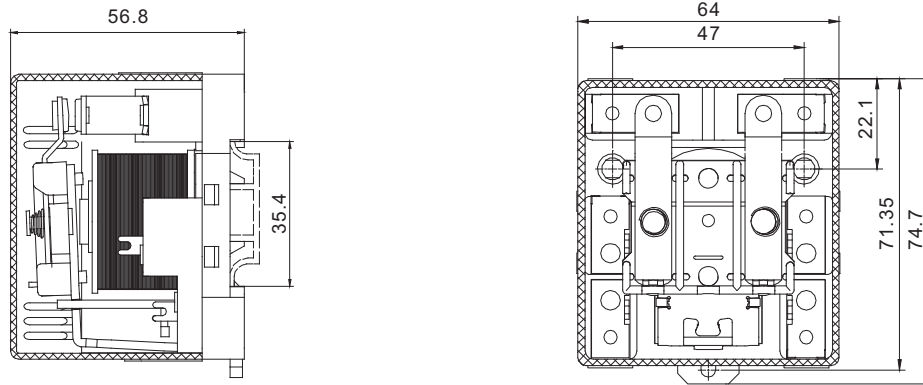


Model	LJQX-62F-1Z	LJQX-62F-2H	LJQX-62F-2Z
Dimension(mm)	74.0×64.0×56.8	74.0×64.0×54.5	92.7×64.0×54.5
Contact Form	1Z 1H 1D	2H	2Z 2D
Contact Material	Silver alloy		
Resistance Performance Of Contactor Capacity	100A/28VDC 100A/250VAC		
Coil Power at 23°C	DC(W)	≤3W	
	AC(VA)	≤10VA	
Coil Voltage	DC(V)	6~220V	
	AC(V)	6~380V	
Pick-up Voltage at 23°C	DC≤75% AC≤80%		
Drop-out Voltage at 23°C	DC≥10% AC≥30%		
Max Voltage at 23°C	110%		
Contact Resistance(at 6VDC 1A)	≤100mΩ		
Dielectric Strength	Between Open Contacts	≥1500VAC 50Hz/1min Leakage current 1mA	
	Contacts pieces	≥2500VAC 50Hz/1min Leakage current 1mA	
	Between Coil & Contacts	≥2500VAC 50Hz/1min Leakage current 1mA	
Insulation Resistance(MΩ) at 500VDC	≥1000MΩ		
Service life	Electrical	10 <sup>5</sup> Times(Frequency: On1Time/1S, Off1Time/1S)	
	Mechanical	10 <sup>6</sup> Times(Frequency: 300Time/1min)	
Ambient Temperature	-25°C~+55°C		
Terminal type	Screw Mounting		
Suitable socket	/		
Product Weight	240g	245g	300g
Same Reference	JQX-62F		
Protection Type	Close type		

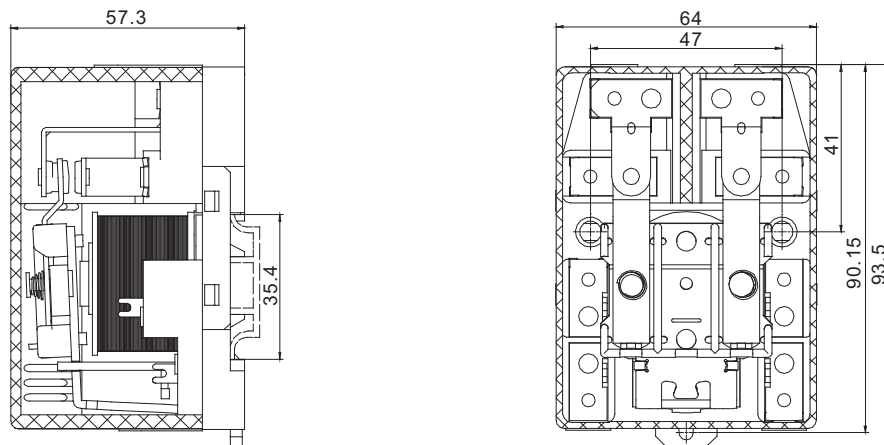
### LJQX-62F-1Z Installation dimensions



LJQX-62F-2H Installation dimensions



LJQX-62F-2Z Installation dimensions



LJQX-62F Connecting diagram

