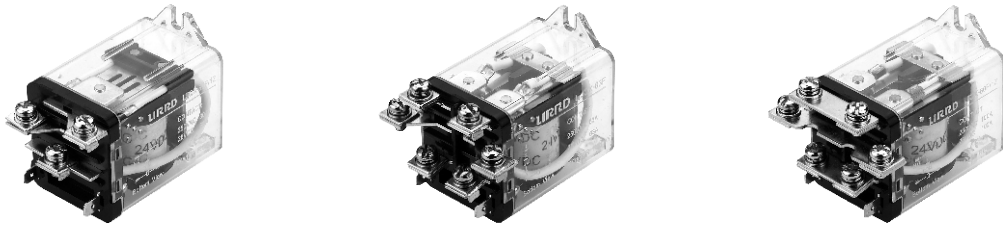


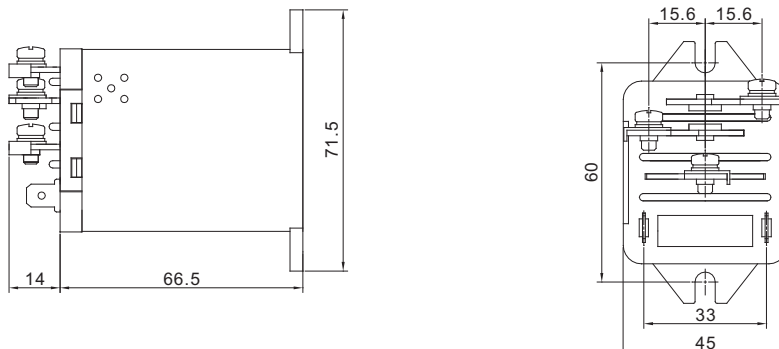
## LJQX-59F、LJQX-59FD、LJQX-63F、LJQX-80F Series



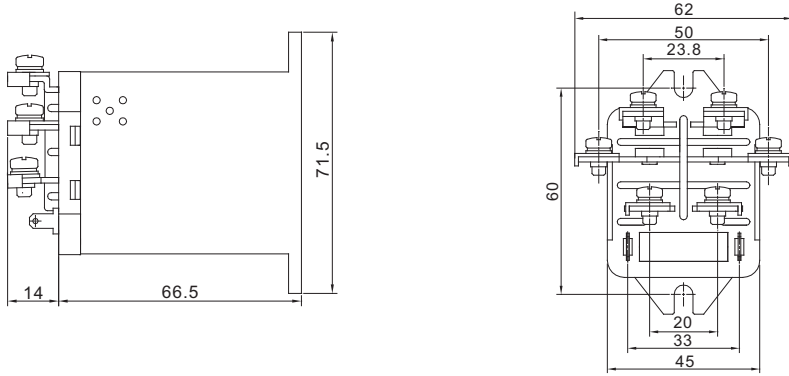
Model	LJQX-59F	LJQX-59FD	LJQX-63F	LJQX-80F
Dimension(mm)	80.5×45.0×71.5	80.5×45.0×71.5	80.5×62.0×71.5	80.5×62.0×71.5
Contact Form	1Z 1H 1D	1Z 1H 1D	2Z 2H 2D	1Z 1H 1D
Contact Material	Silver alloy			
Resistance Performance Of Contactor Capacity	80A/28VDC/250AC	120A/28VDC/250AC	60A/28VDC/250AC	100A/28VDC/250AC
Coil Power at 23°C	DC(W)	≤4.8W		
	AC(VA)	≤7.5VA		
Coil Voltage	DC(V)	6~220V		
	AC(V)	6~380V		
Pick-up Voltage at 23°C	DC≤75% AC≤80%			
Drop-out Voltage at 23°C	DC≥10% AC≥30%			
Max Voltage at 23°C	110%			
Contact Resistance(at 6VDC 1A)	≤100mΩ			
Dielectric Strength	Between Open Contacts	≥1500VAC 50Hz/1min Leakage current 1mA		
	Contacts pieces	≥2000VAC 50Hz/1min Leakage current 1mA		
	Between Coil & Contacts	≥2500VAC 50Hz/1min Leakage current 1mA		
Insulation Resistance(MΩ) at 500VDC	≥1000MΩ			
Service life	Electrical	10 <sup>5</sup> Times(Frequency: On1Time/1S, Off1Time/1S)		
	Mechanical	10 <sup>8</sup> Times(Frequency: 300Time/1min)		
Ambient Temperature	-25°C~+55°C			
Terminal type	Screw Mounting			
Suitable socket	/			
Product Weight	235g	270g	230g	275g
Same Reference				

Remark: Do not make the connection face of product upward when installing to avoid dust entering into it and affecting relay's normal working.

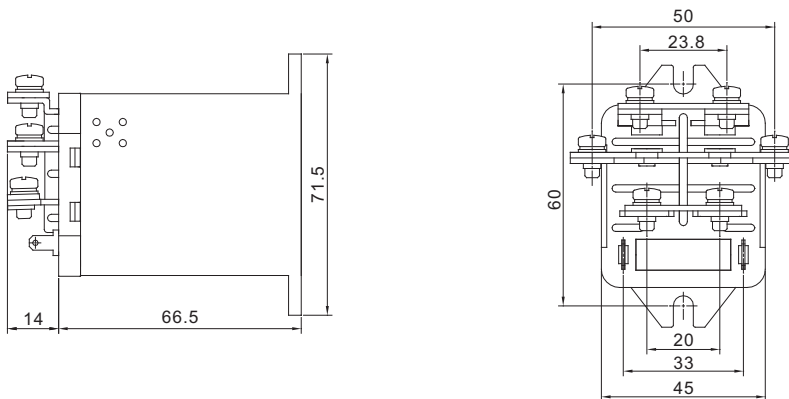
### LJQX-59F、LJQX-59FD Installation dimensions



LJQX-63F Installation dimensions



LJQX-80F Installation dimensions



Installation dimensions and connecting diagram

