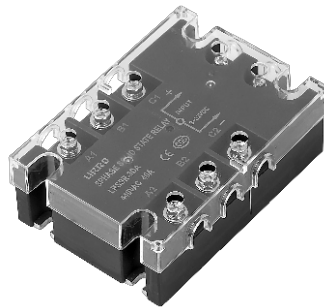


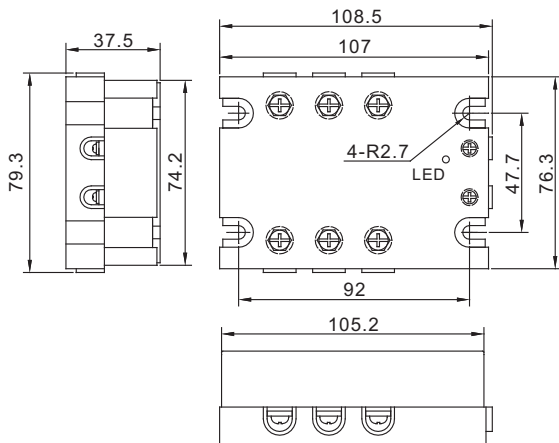
LRSSR-3 Series



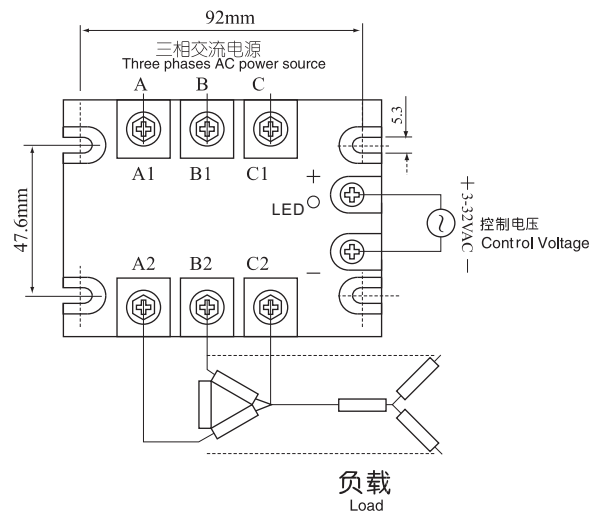
Model	LRSSR-3AA	LRSSR-3DA
Load Voltage(V)	24~440,48~480,90~660	
Load Current(A)	5,10,20,30,40,50,60,80,100	
Dielectric Strength(Vac)	2500	
Insulation Resistance(M Ω)	100	
Control Voltage(Vdc)	90-280/280-440	3-32
Control Current(mA)	≤ 10	≤ 25
On Voltage Drop(V)	≤ 1.5	
Off Leakage Current(mA)	≤ 10	
Frequency Range(Hz)	47~63	
on-off Time(ms)	1/2 Cycle	
Action State Indication	LED	
Ambient Temperature	-30 $^{\circ}$ C~+75 $^{\circ}$ C	
Mounting Method	Bolt Fixation	
Same Reference	SSR,JG-2FA,JG2FB,JG-2FC,JGX	
Directions	Load Current Resistance Above DC 5A Must Be Set Radiator	

Remark: Thermal silicone grease should be spread between solidity and radiator for heat rejection.

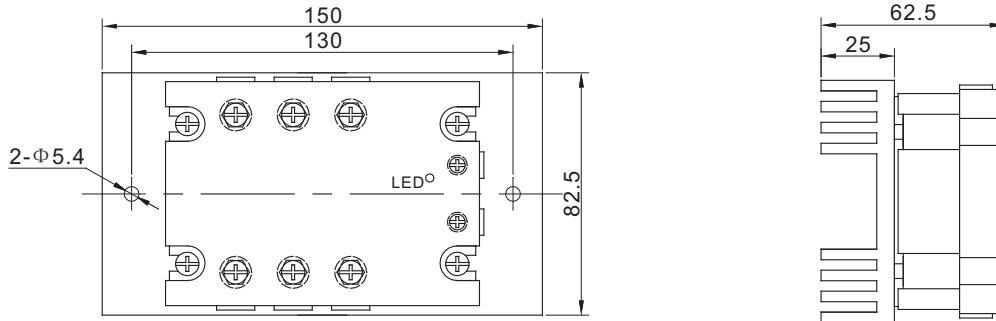
LRSSR-3 Series dimension and installation dimensions



LRSSR-3 Serise connecting diagram



5A~40A Dimensions of the equipped radiator



40A~100A= Dimensions of the equipped radiator

