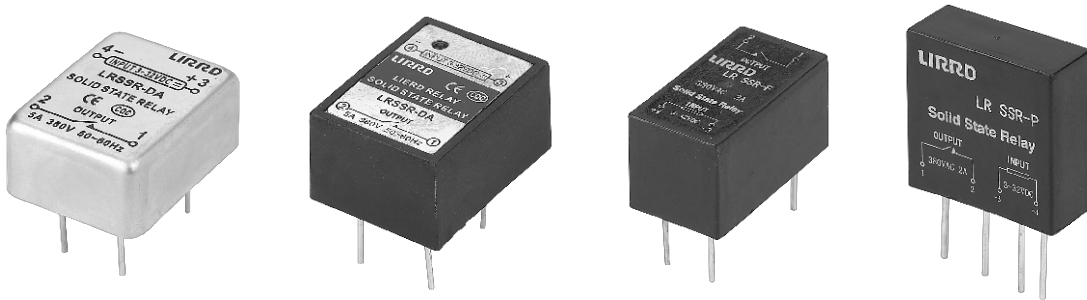
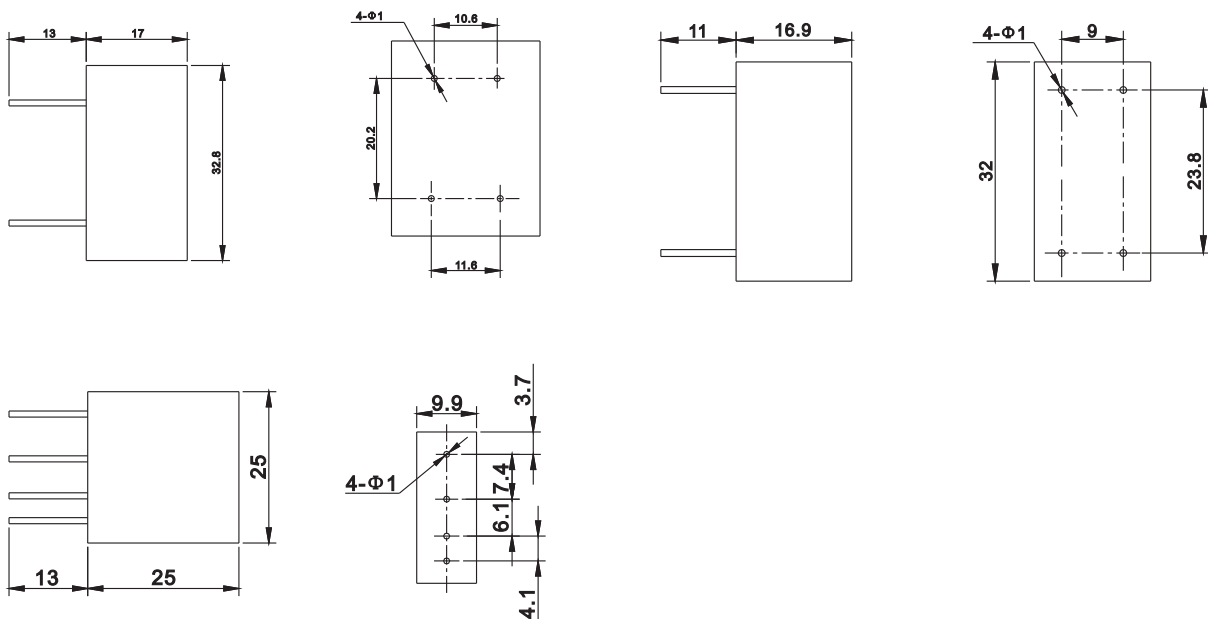


LRSSR PCB Series

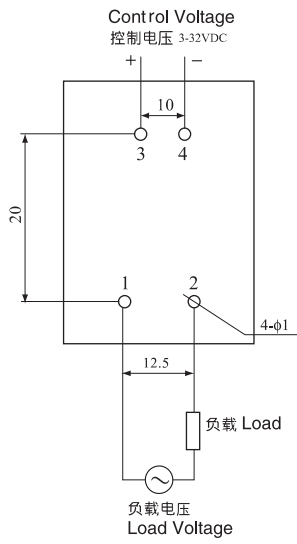


Model	LRSSR-DA	LRSSR-DA	LRSSR-F	LRSSR-P	LRSSR-P-DD
Load Voltage(V)	40-240/36-530	40-240/36-530	28-280/36-530	28-280/36-530	2-150VDC
Load Current(A)	1~10A	1~5A	1~3A	1~3A	1~5A
Dielectric Strength(Vac)	2500				
Insulation Resistance(M Ω)	100				
Control Voltage(Vdc)	3-32				
Control Current(mA)	≤ 7				≤ 10 mA
On Voltage Drop (V)	≤ 1.5				≤ 0.7
Off Leakage Current(mA)	≤ 2				
Frequency Range(Hz)	47-63				
On-off Time(ms)	$\leq 1/2$ Cycle				≤ 1 ms
Action State Indication	NO	LED	NO		
Ambient Temperature	-30 $^{\circ}$ C~+75 $^{\circ}$ C				
Mounting Method	PCB Put PCB In Directly				
Same Reference	SSR,JG-3F,G3CN				
Directions					

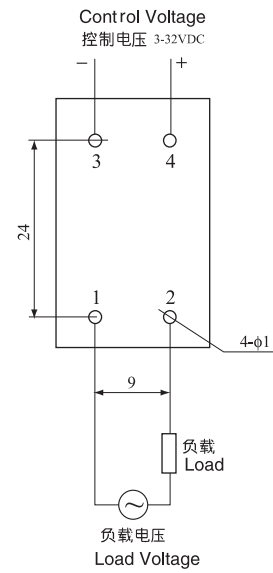
LRSSR LRSSR Series dimension and installation dimensions



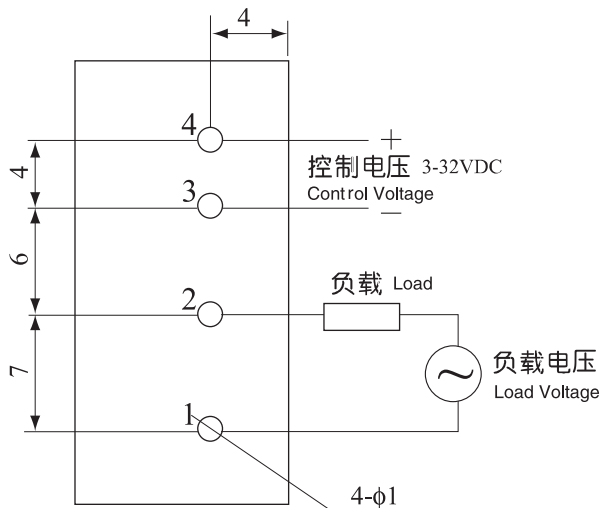
LRSSR Connecting diagram



LRSSR-F Connecting diagram



LRSSR-P Connecting diagram



LRSSR-P-DD Connecting diagram

