
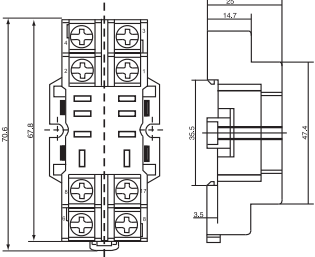
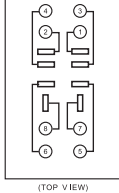
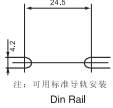
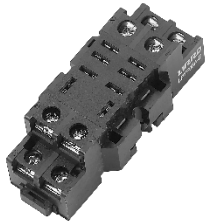
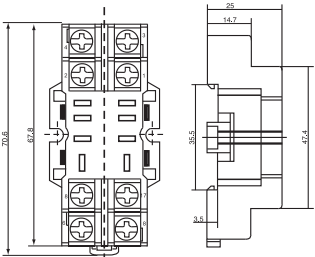
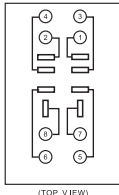
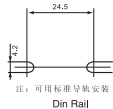
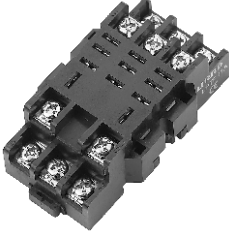
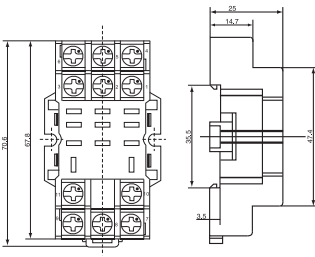
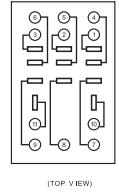
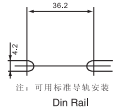
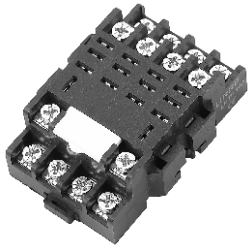
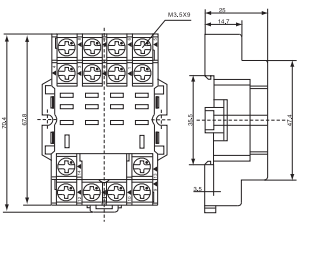
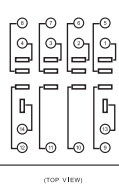
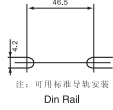
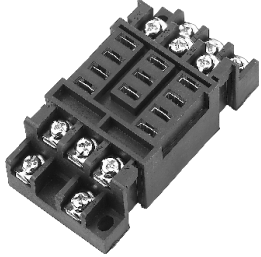
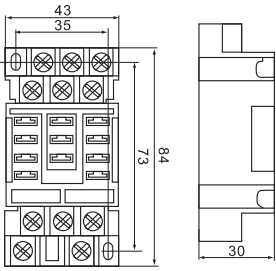
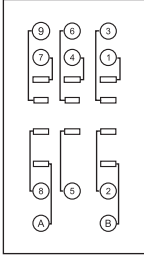
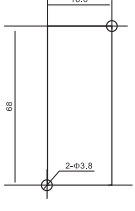
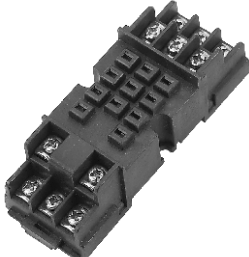
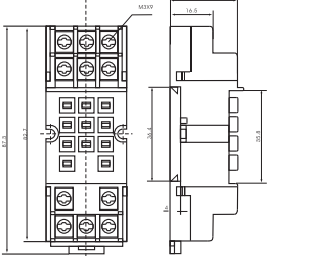
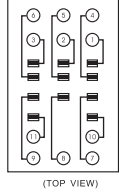
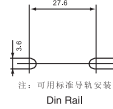

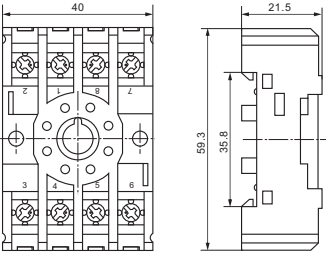
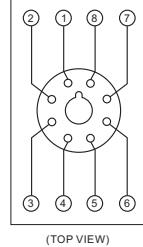
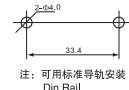

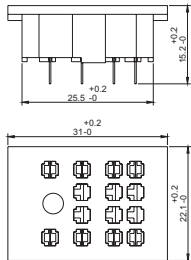
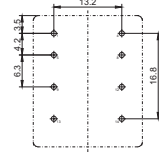
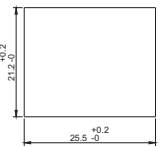

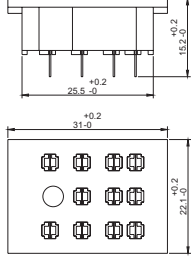
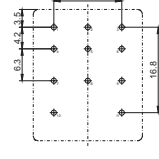
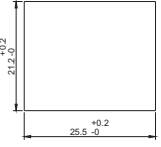

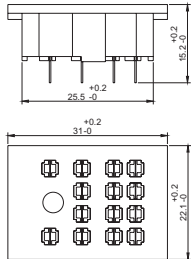
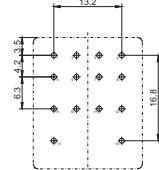
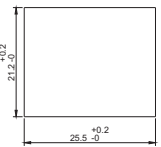

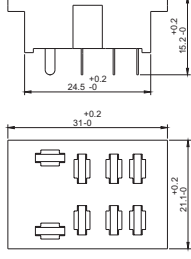
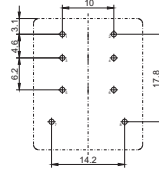
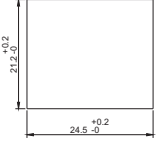
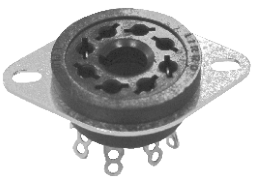
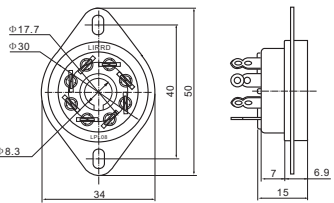
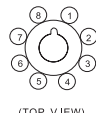
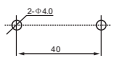
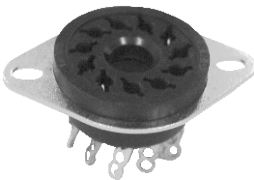
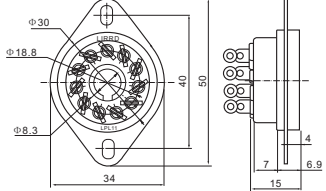
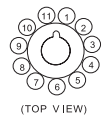
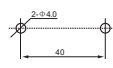

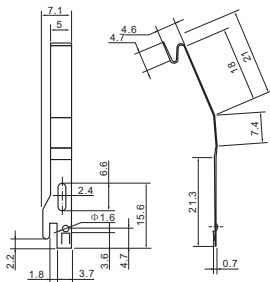

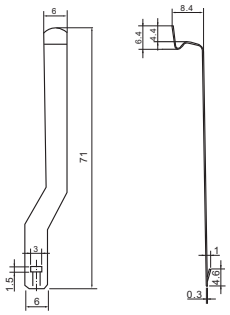

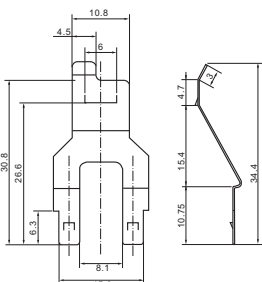

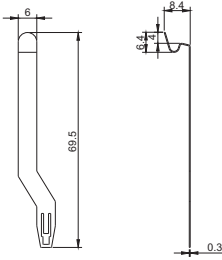


Model	Appearance	Outline dimension	Terminals & connections	Mounting Holes
LPYF08A				
LPYF08A-E				
LPYF11A				
LPYF14A				
LPYF14A-E				
LPYF14A-EH				

Model	Appearance	Outline dimension	Terminals & connections	Mounting Holes
LPTF08A			 (TOP VIEW)	 注：可用标准导轨安装 Din Rail
LPTF08A-E			 (TOP VIEW)	 注：可用标准导轨安装 Din Rail
LPTF11A			 (TOP VIEW)	 注：可用标准导轨安装 Din Rail
LPTF14A			 (TOP VIEW)	 注：可用标准导轨安装 Din Rail
38F11A			 (TOP VIEW)	 注：可用标准导轨安装 Din Rail
LR11A& PR11A			 (TOP VIEW)	 注：可用标准导轨安装 Din Rail

Model	Appearance	Outline dimension	Terminals & connections	Mounting Holes
LPF083A				 注：可用标准导轨安装 Din Rail
LPF083A-E				安装尺寸
LPF113A				 注：可用标准导轨安装 Din Rail
LPF113A-E				 注：可用标准导轨安装 Din Rail
LP3G-08E				
LP2CF-08				

Model	Appearance	Outline dimension	Terminals & connections	Mounting Holes
PF085A			 (TOP VIEW)	 注: 可用标准导轨安装 Din Rail
SY2				
SY3				
SY4				
SL2				
L PL08			 (TOP VIEW)	

Model	Appearance	Outline dimension	Terminals & connections	Mounting Holes
LPL11			 (TOP VIEW)	
PYF.PTF clip				
PF clip				
H3Y clip				
LPF085A clip				
SY.SL clip	